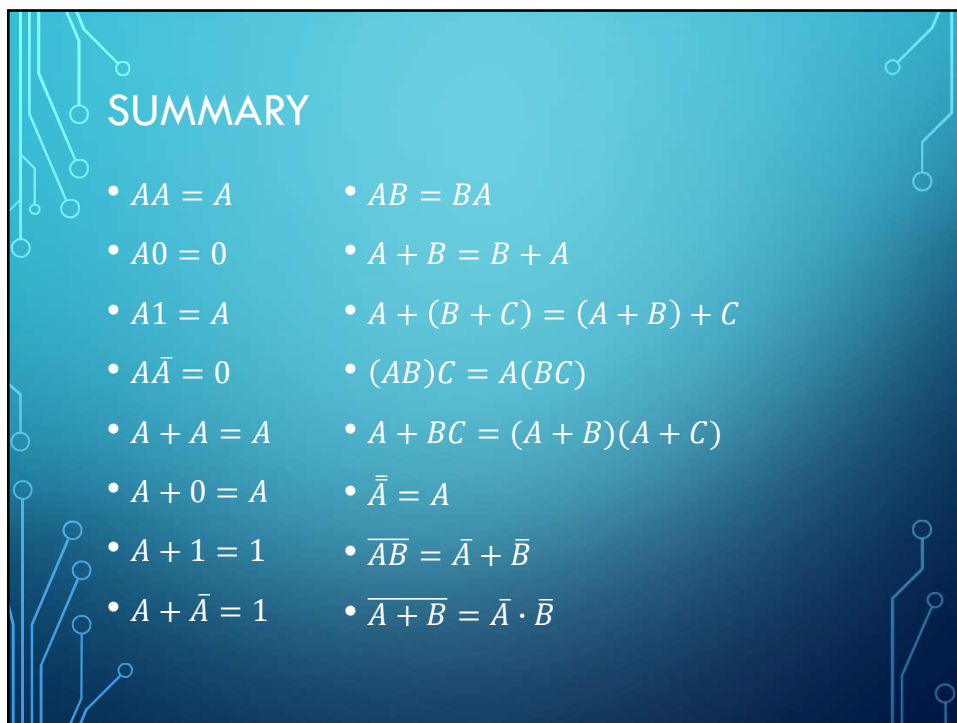


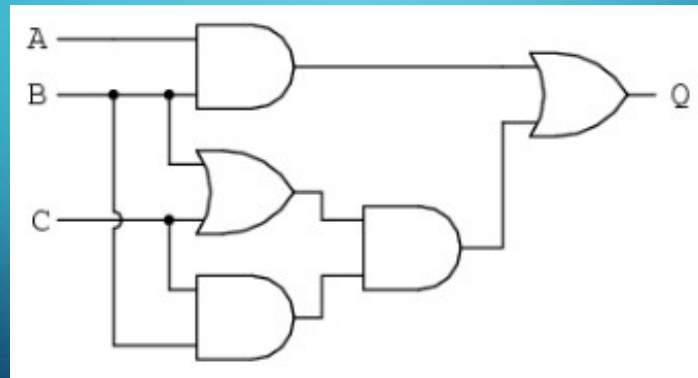
1



2

BOOLEAN SIMPLIFICATIONS

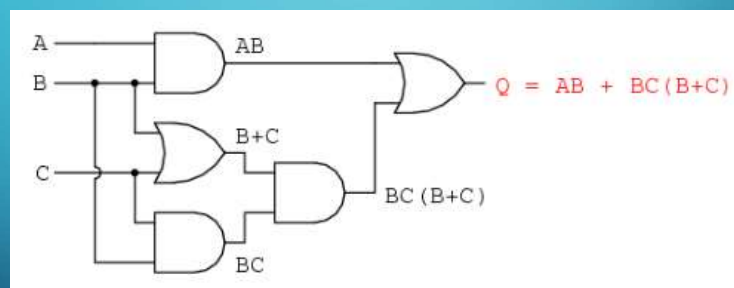
- Reduce the following



3

BOOLEAN SIMPLIFICATIONS

- Reduce the following



4

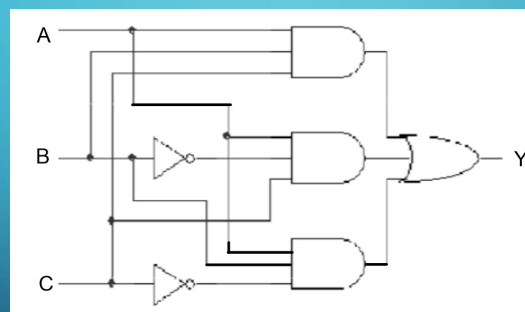
BOOLEAN SIMPLIFICATIONS

$$\begin{array}{l}
 AB + BC(B + C) \\
 \downarrow \text{Distributing terms} \\
 AB + BBC + BCC \\
 \downarrow \text{Applying identity } \mathbf{AA = A} \\
 \text{to 2nd and 3rd terms} \\
 AB + BC + BC \\
 \downarrow \text{Applying identity } \mathbf{A + A = A} \\
 \text{to 2nd and 3rd terms} \\
 AB + BC \\
 \downarrow \text{Factoring } \mathbf{B} \text{ out of terms} \\
 B(A + C)
 \end{array}$$

5

BOOLEAN SIMPLIFICATIONS

- Reduce the following



6

BOOLEAN SIMPLIFICATIONS

• Reduce the following:

• $C + \overline{BC}$

• $\overline{AB}(\overline{A} + B)(\overline{B} + B)$

• $(A + C)(AD + A\overline{D}) + AC + C$