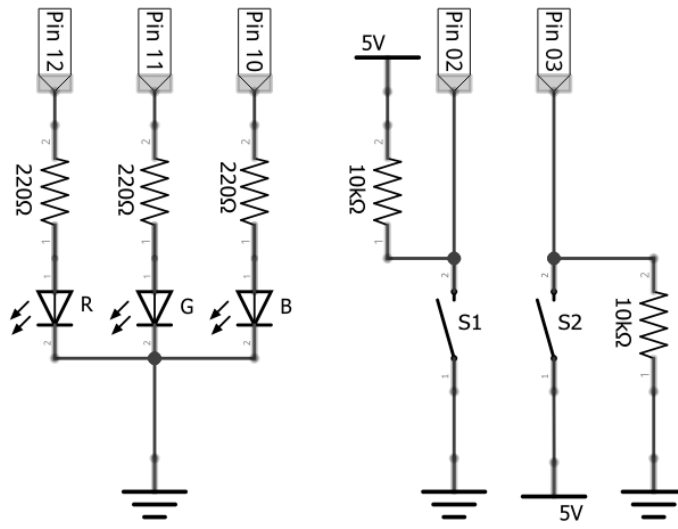


TEJ3M – Basic I/O Assignment

Build the following circuit(s) on the breadboard:



Functionality:

- Button S1 **toggles** through R→G→B→R→G→B→
- Button S2 turns the LED off

TO BE SUBMITTED:

1. Your best **WORKING** code **as text** (copy/paste code only)
2. A screen shot of your Tinkercad circuit

Hints/Tips:

- Build your circuit and test functionality of **EACH PART INDIVIDUALLY** before proceeding. Do not attempt to build the circuit and full functionality at one time.