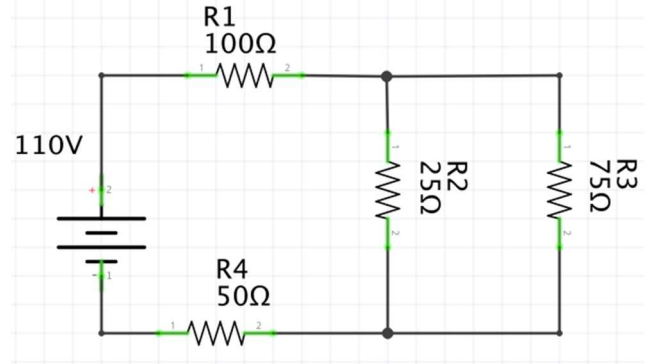


1. Given the following circuit diagram:

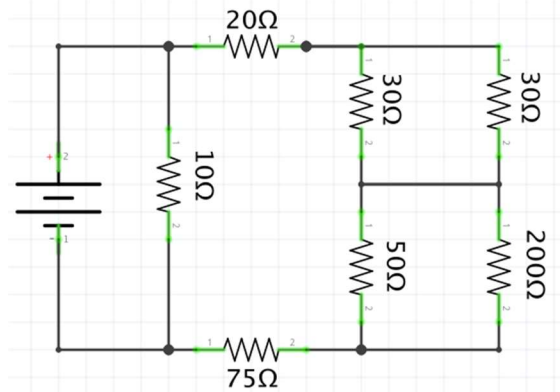
a) Determine the equivalent resistance for the circuit.



b) Complete the following table:

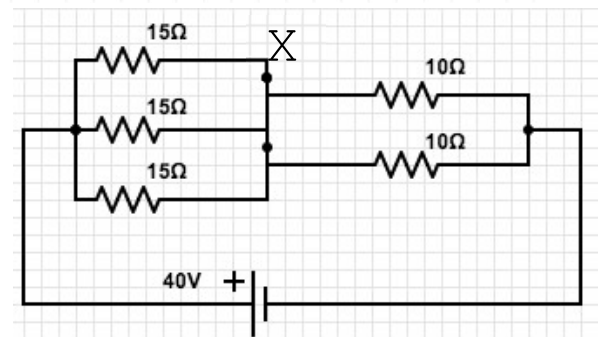
Description	Current	Voltage
R1 (100 Ω)		
R2 (25 Ω)		
R3 (75 Ω)		
R4 (50 KΩ)		

2. Determine the equivalent resistance for the following circuit:



3. For the following circuit diagram:

a) Determine the equivalent resistance for the circuit



b) What is the voltage measured at point X?