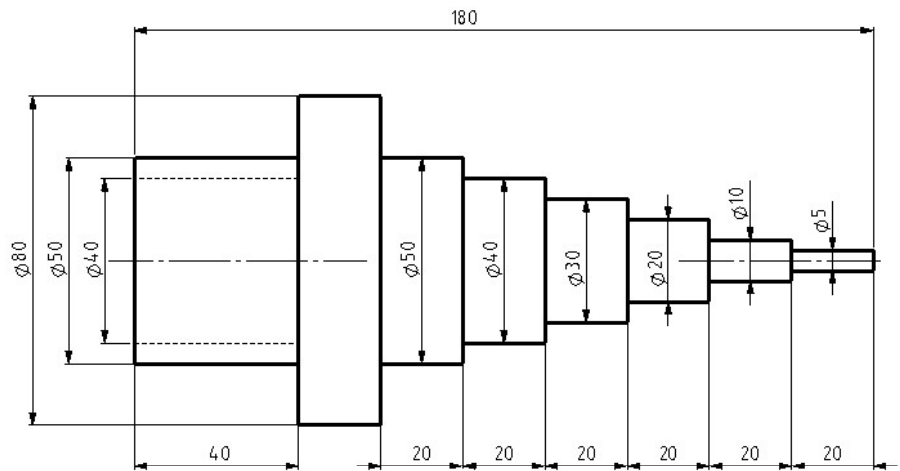
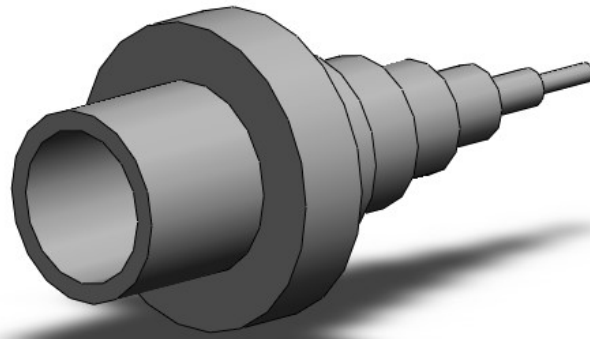
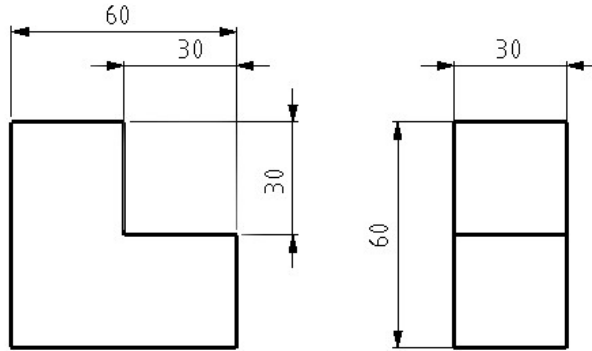
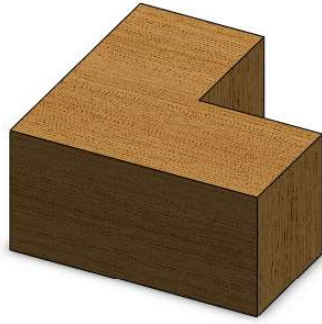


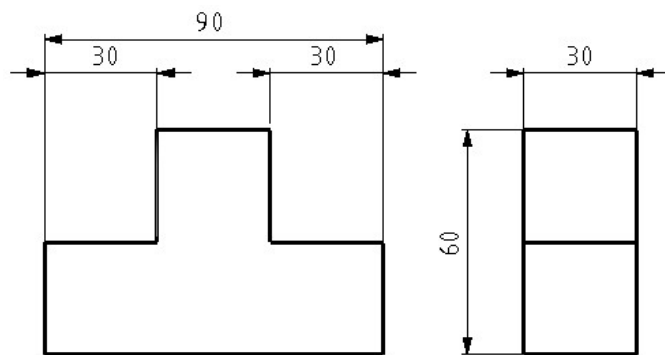
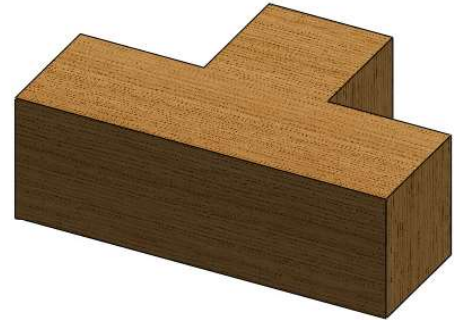
Exercise 1-3



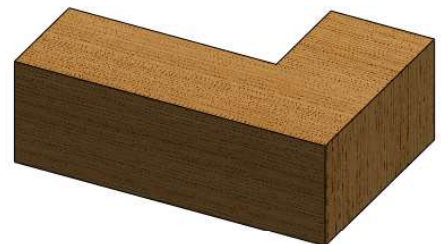
Exercise 5-11

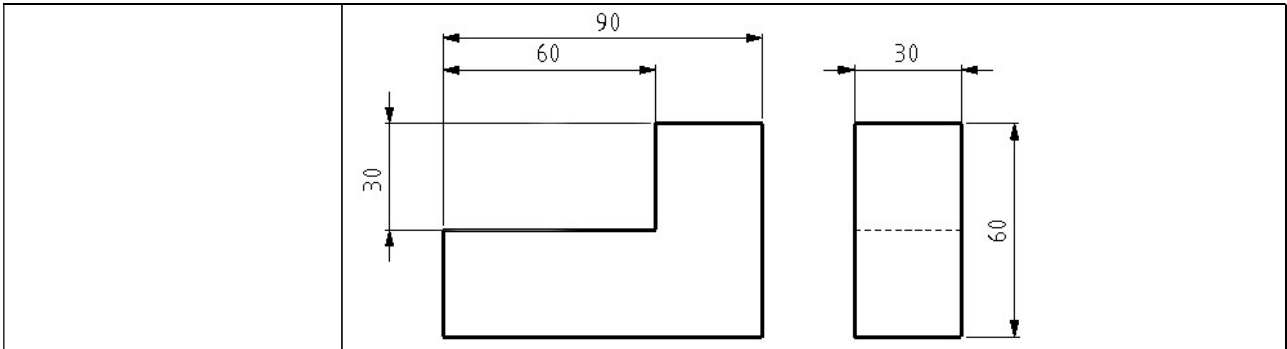


Exercise 5-12

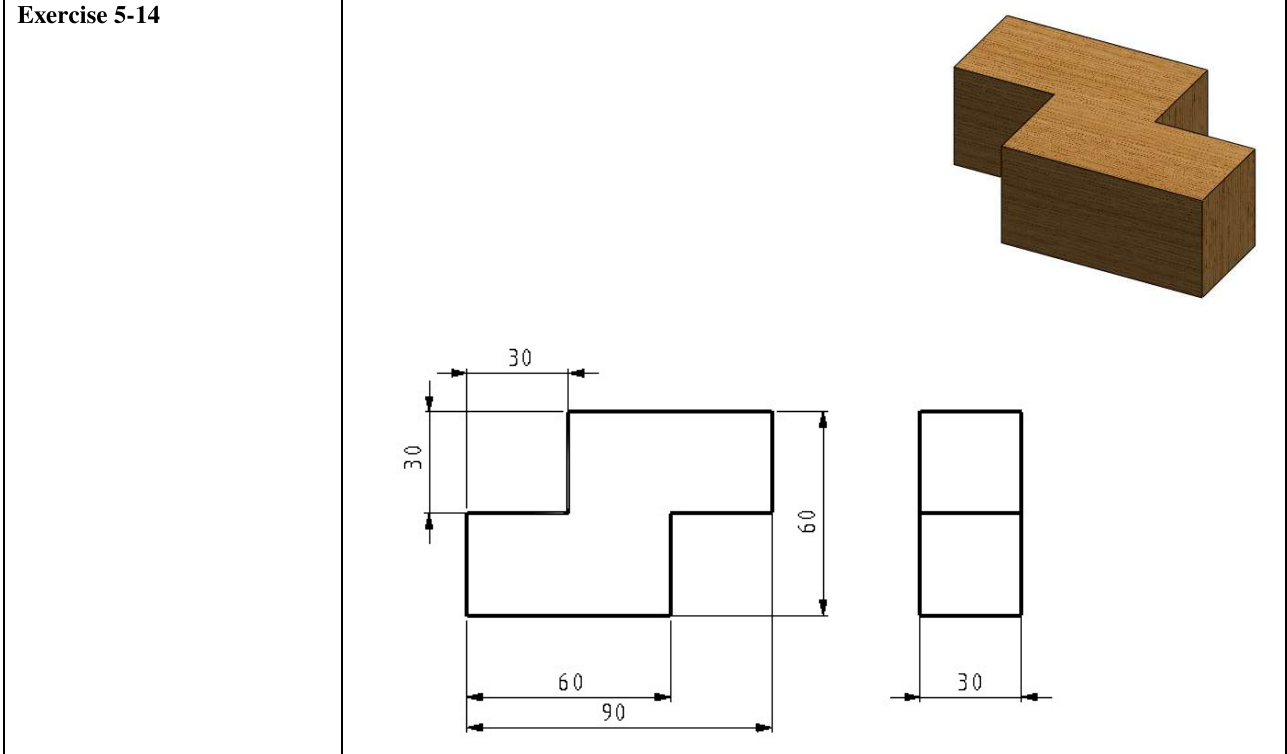


Exercise 5-13





Exercise 5-14

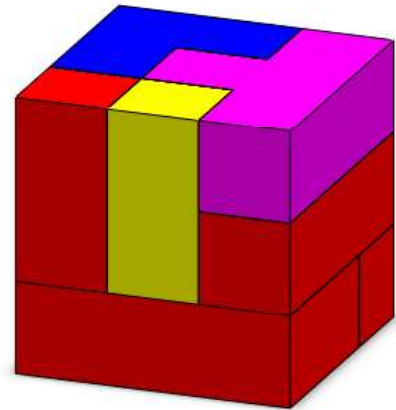
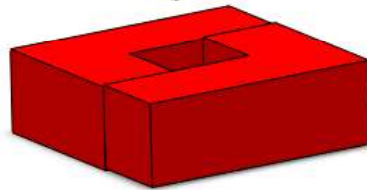
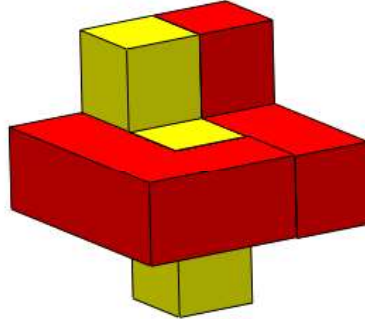
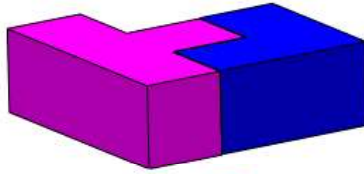


Exercise 5-15

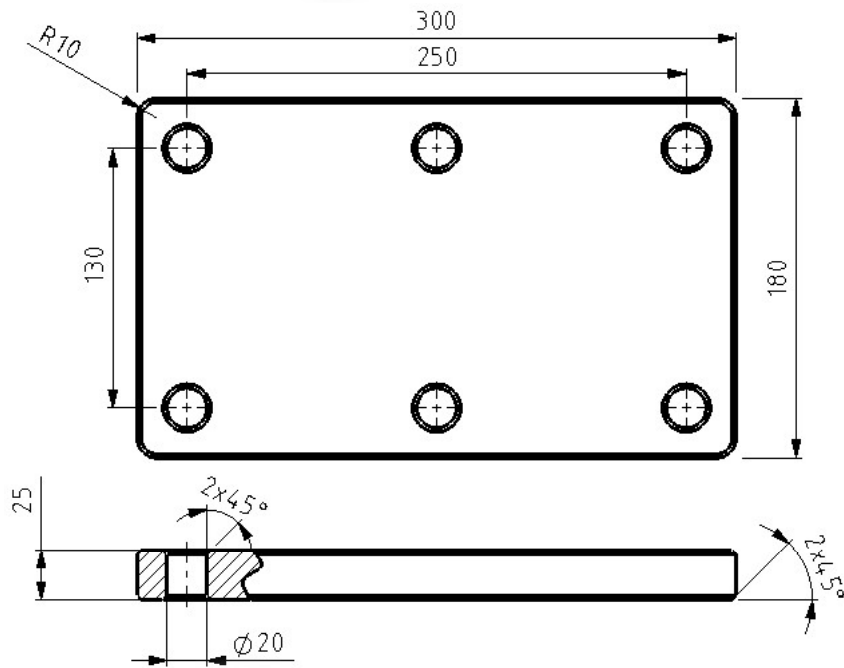
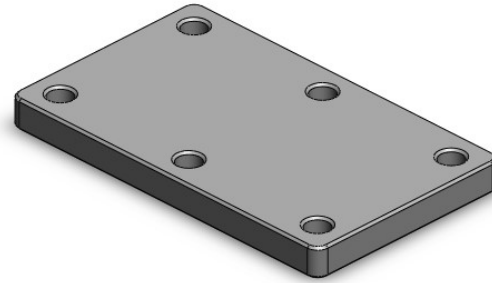
Make the assembly as shown on the right. Use:

- 1 x exercise 5-11
- 1 x exercise 5-12
- 4 x exercise 5-13
- 1 x exercise 5-14

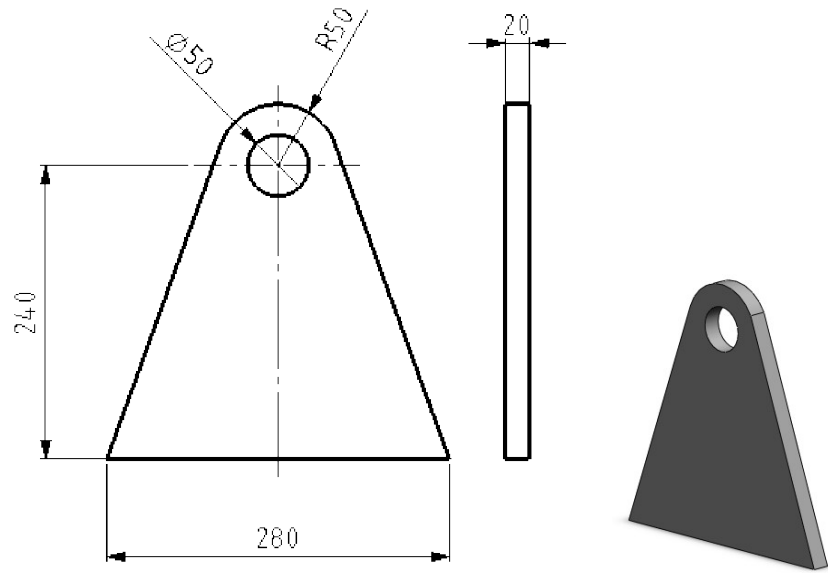
For the sake of clarity, a different color has been used for the various components shown on the right.



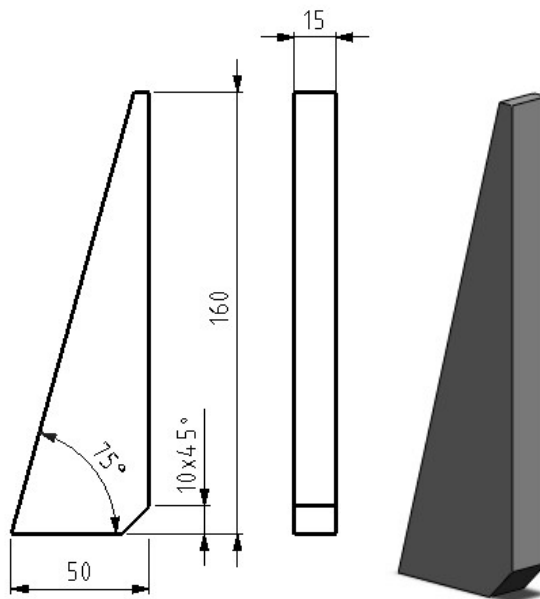
Exercise 3-16



Exercise 3-17

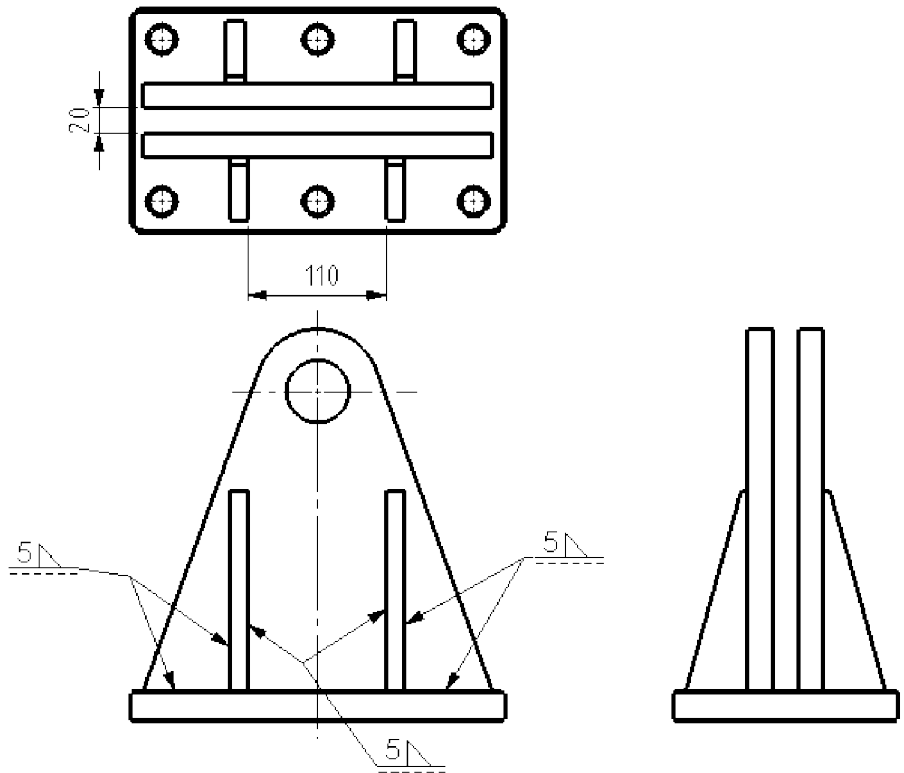
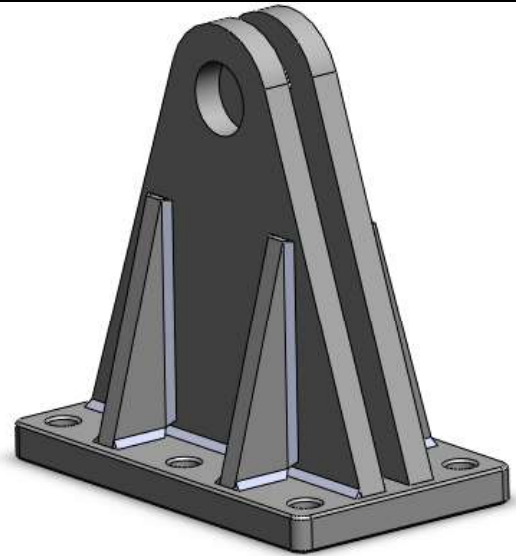


Exercise 3-18

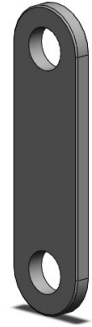
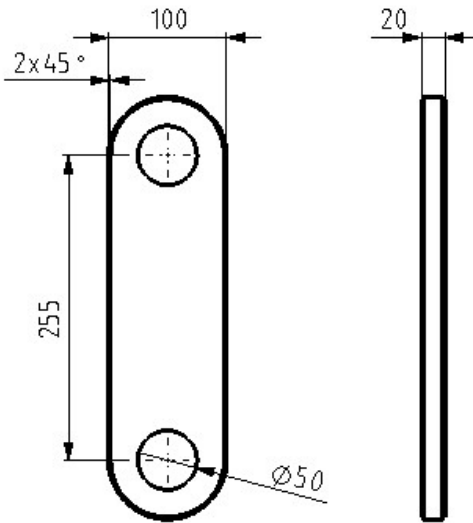


Exercise 3-19

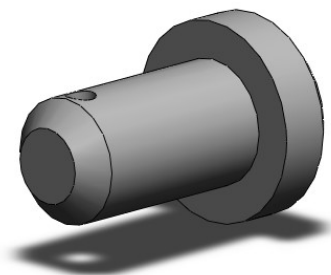
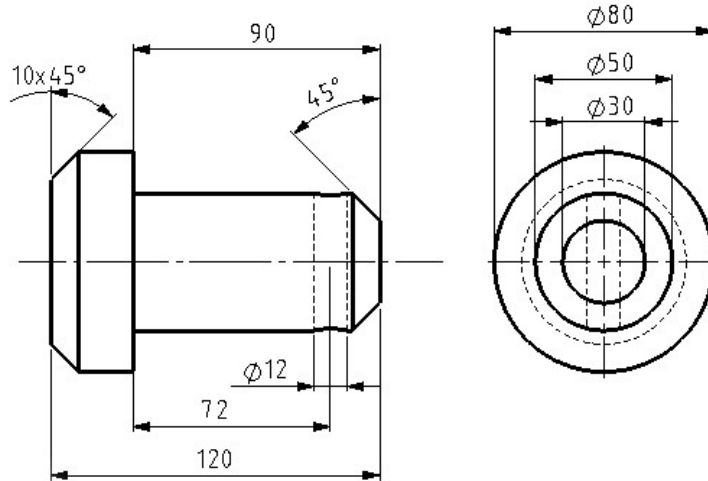
Make a welded assembly out of parts 3-16 through 3-18 as shown in the drawing on the right. Apply the welds as shown in the assembly drawing.



Exercise 3-20



Exercise 3-21



Exercise 3-22

Make an assembly out of parts 3-19 through 3-21. Use a hex head screw (ISO 4014) M12x65 and a hex nut (ISO 4034) to secure the pin.

