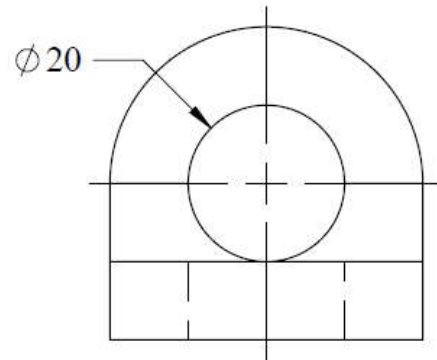
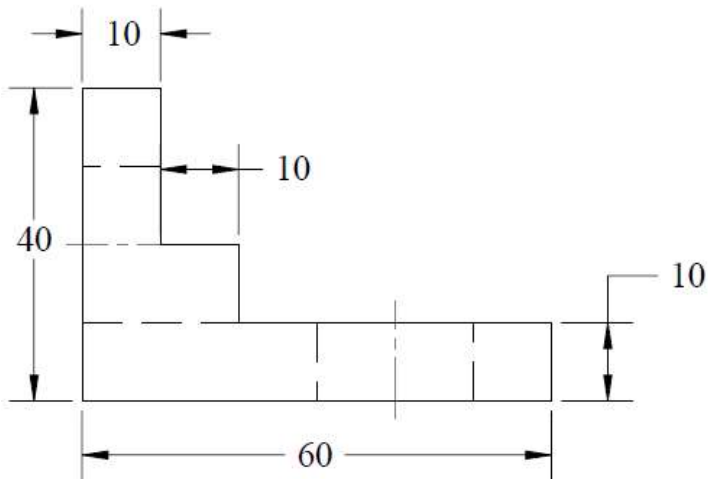
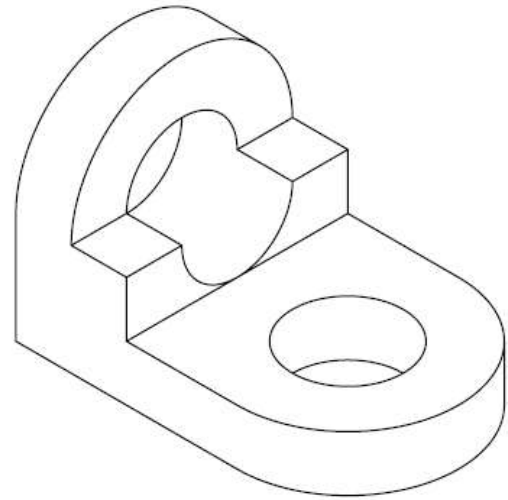
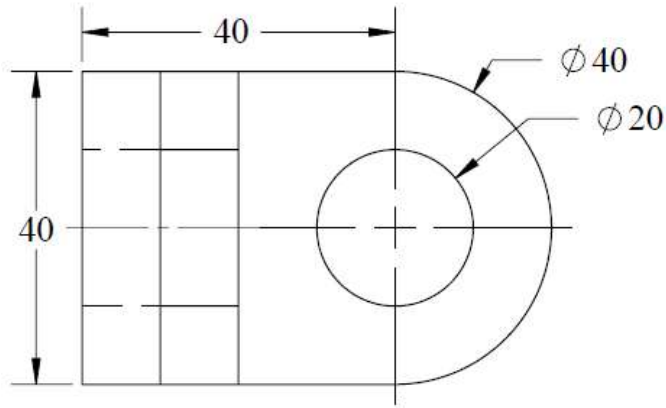
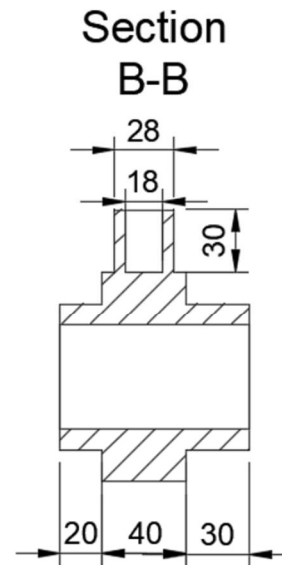
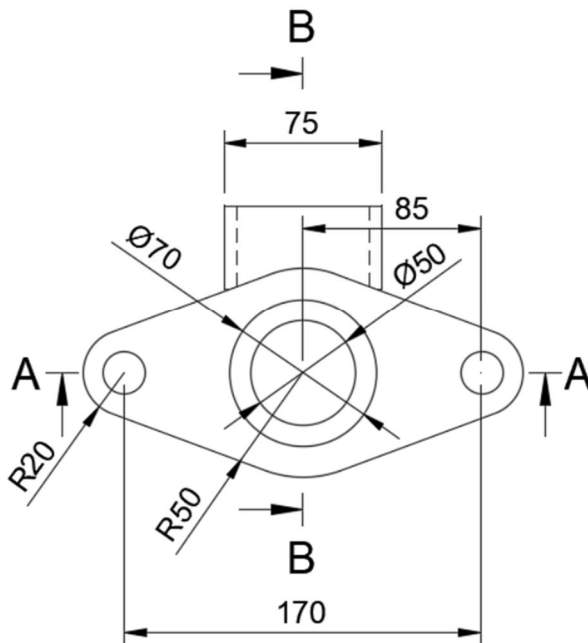
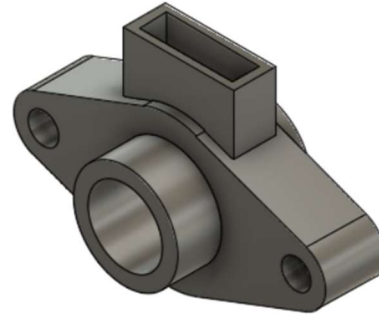
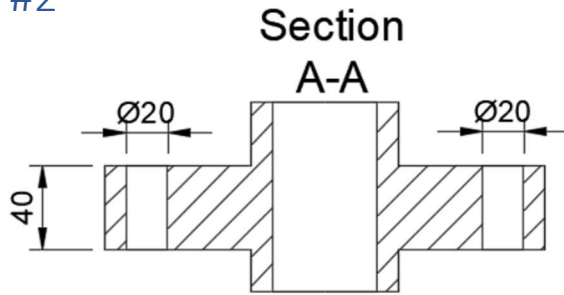


Part #1



## Part #2



## Assessment

Level 1: Submit a completed part with some mistakes

Level 2: Fully complete only one part

Level 3: Submit two completed parts with some mistakes

Level 4: Fully complete both parts

*(See rubric for specific requirements)*

Evaluation includes accuracy and making good efficient use of each step (avoiding having an excessive number of steps).

## Fusion 360 Design Evaluation Rubric

## Part 1

<b>Desc</b>	<b>R</b>	<b>1</b>	<b>2</b>	<b>3</b>	<b>4</b>
Number of Features	<i>More than 13 features required to build design</i>	<i>Used 12-13 features required to build design</i>	<i>Used 11-12 features required to build design</i>	<i>Only 8-9 features required to build design</i>	<i>Only 6-7 features required to build design</i>
Dimensions	<i>Dimensions do not match at all</i>	<i>Some dimensions are exact</i>	<i>Most dimensions are exact</i>	<i>Almost all dimensions are exact</i>	<i>Dimensions are exact</i>
Build process	<i>Build process was awkward and clumsy.</i>	<i>Build process is somewhat logical</i>	<i>Build process is mostly logical and almost always fully defined</i>	<i>Build process is fairly logical, straightforward and fully defined</i>	<i>Build process is clear, logical and simple and fully defined</i>

## Part 2

<b>Desc</b>	<b>R</b>	<b>1</b>	<b>2</b>	<b>3</b>	<b>4</b>
Number of Features	<i>More than 13 features required to build design</i>	<i>Used 12-13 features required to build design</i>	<i>Used 11-12 features required to build design</i>	<i>Only 8-9 features required to build design</i>	<i>Only 6-7 features required to build design</i>
Dimensions	<i>Dimensions do not match at all</i>	<i>Some dimensions are exact</i>	<i>Most dimensions are exact</i>	<i>Almost all dimensions are exact</i>	<i>Dimensions are exact</i>
Build process	<i>Build process was awkward and clumsy.</i>	<i>Build process is somewhat logical</i>	<i>Build process is mostly logical and almost always fully defined</i>	<i>Build process is fairly logical, straightforward and fully defined</i>	<i>Build process is clear, logical and simple and fully defined</i>