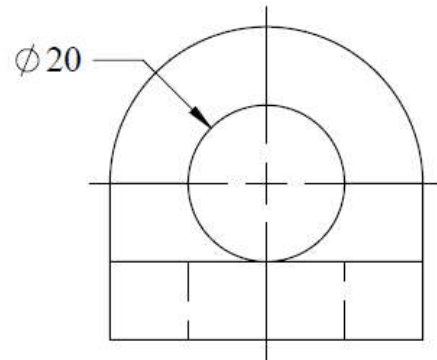
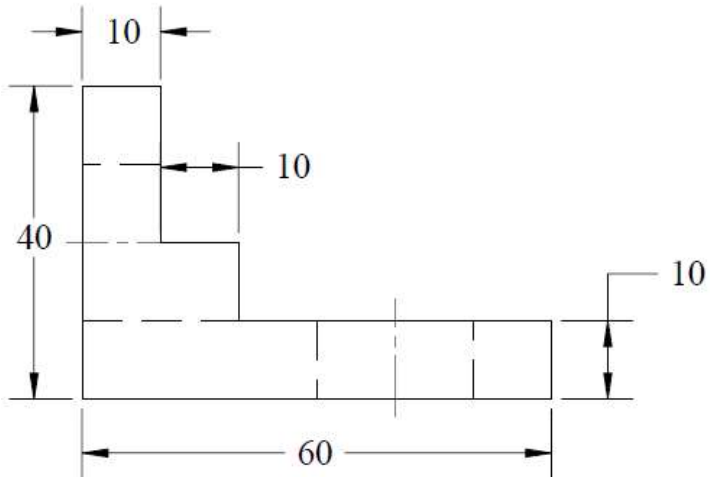
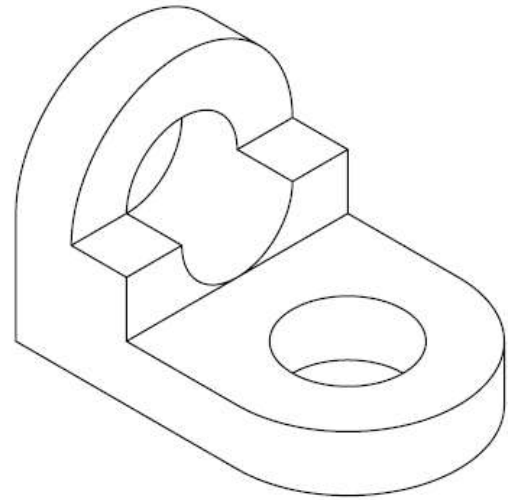
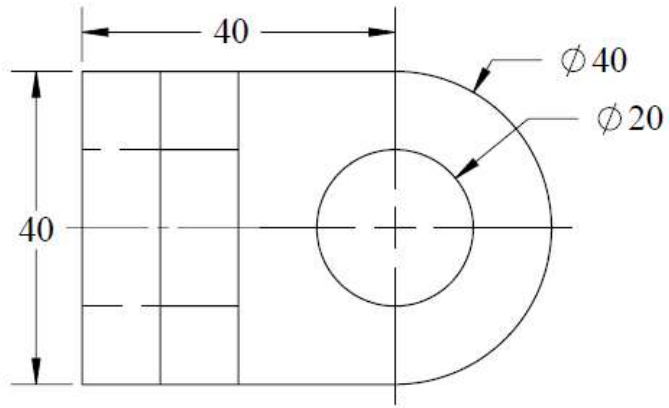
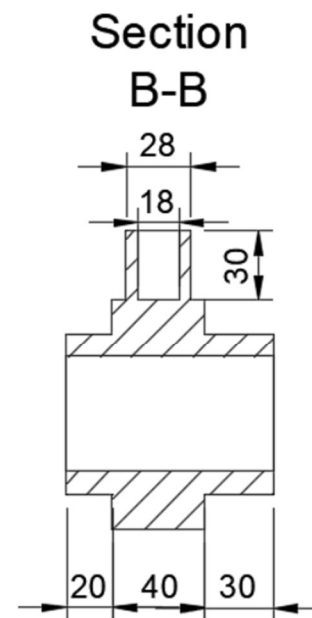
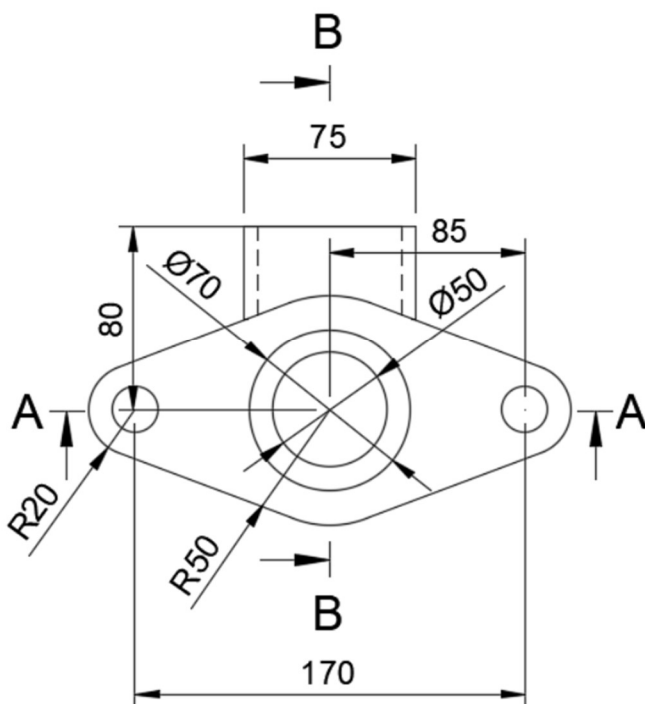
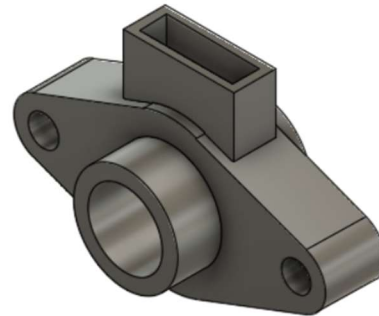
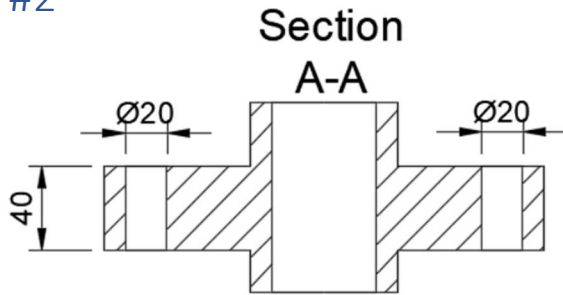


Part #1



Part #2



Assessment

Level 1: Submit a completed part with some mistakes

Level 2: Fully complete only one part

Level 3: Submit two completed parts with some mistakes

Level 4: Fully complete both parts

(See rubric for specific requirements)

Evaluation includes accuracy and making good efficient use of each step (avoiding having an excessive number of steps).

Fusion 360 Design Evaluation Rubric

Part 1

Desc	R	1	2	3	4
Number of Features	<i>More than 13 features required to build design</i>	<i>Used 12-13 features required to build design</i>	<i>Used 11-12 features required to build design</i>	<i>Only 8-9 features required to build design</i>	<i>Only 6-7 features required to build design</i>
Dimensions	<i>Dimensions do not match at all</i>	<i>Some dimensions are exact</i>	<i>Most dimensions are exact</i>	<i>Almost all dimensions are exact</i>	<i>Dimensions are exact</i>
Build process	<i>Build process was awkward and clumsy.</i>	<i>Build process is somewhat logical</i>	<i>Build process is mostly logical and almost always fully defined</i>	<i>Build process is fairly logical, straightforward and fully defined</i>	<i>Build process is clear, logical and simple and fully defined</i>

Part 2

Desc	R	1	2	3	4
Number of Features	<i>More than 13 features required to build design</i>	<i>Used 12-13 features required to build design</i>	<i>Used 11-12 features required to build design</i>	<i>Only 8-9 features required to build design</i>	<i>Only 6-7 features required to build design</i>
Dimensions	<i>Dimensions do not match at all</i>	<i>Some dimensions are exact</i>	<i>Most dimensions are exact</i>	<i>Almost all dimensions are exact</i>	<i>Dimensions are exact</i>
Build process	<i>Build process was awkward and clumsy.</i>	<i>Build process is somewhat logical</i>	<i>Build process is mostly logical and almost always fully defined</i>	<i>Build process is fairly logical, straightforward and fully defined</i>	<i>Build process is clear, logical and simple and fully defined</i>