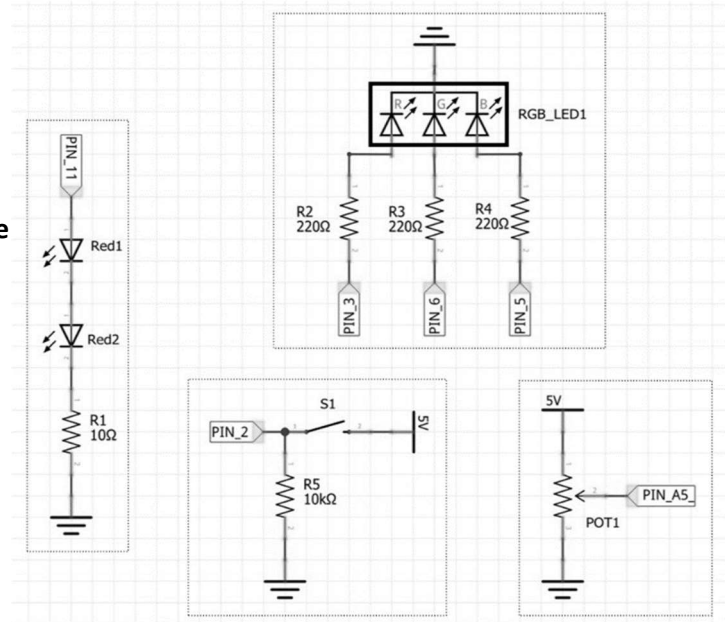


Assignment – TinkerCAD Simulations

Wiring

Wire up the following circuit on TinkerCAD Circuits:

- Use a large breadboard
- Be sure to connect PIN_X to your Arduino
- Do not write any code for this circuit
- Your wiring should be neat, tidy, and organized
- **Name this circuit: 11/24-Wiring-LastName,FirstName**



Coding

Build the following circuit on TinkerCAD Circuits:

Name this circuit: **11/24-Coding-LastName,FirstName**

Functionality:

Level 2:

- Button S1 turns **on** all LEDs when pushed.

Level 3:

- Button S1 **toggles** all LEDs on/off when pushed
- NOTE: Holding down the button should have no effect

Level 4:

- Button S1 **toggles** through each LED independently in sequence
1 → 2 → 3 → 4 → 5 → 1 → 2 → ...

