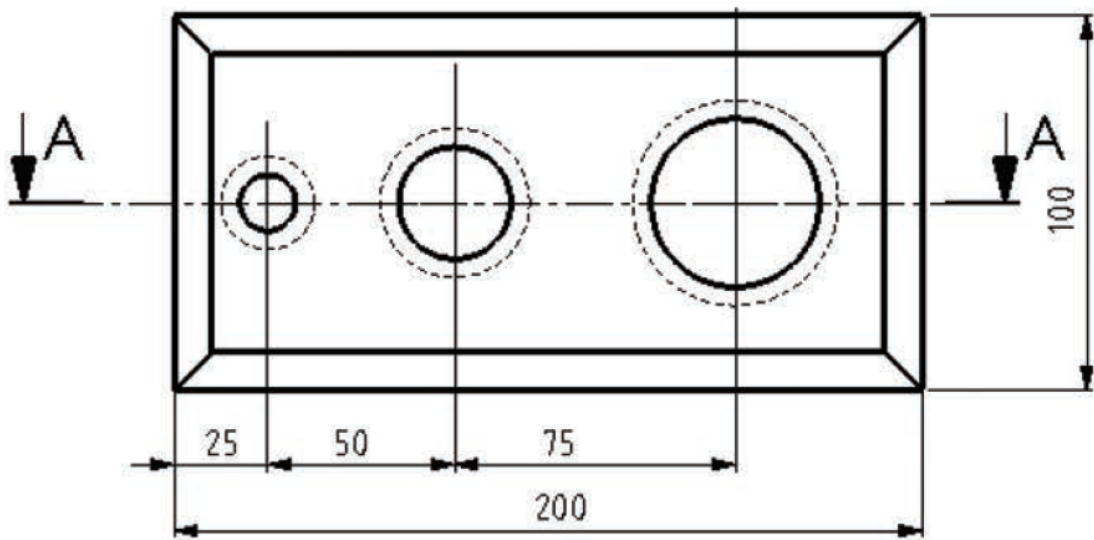
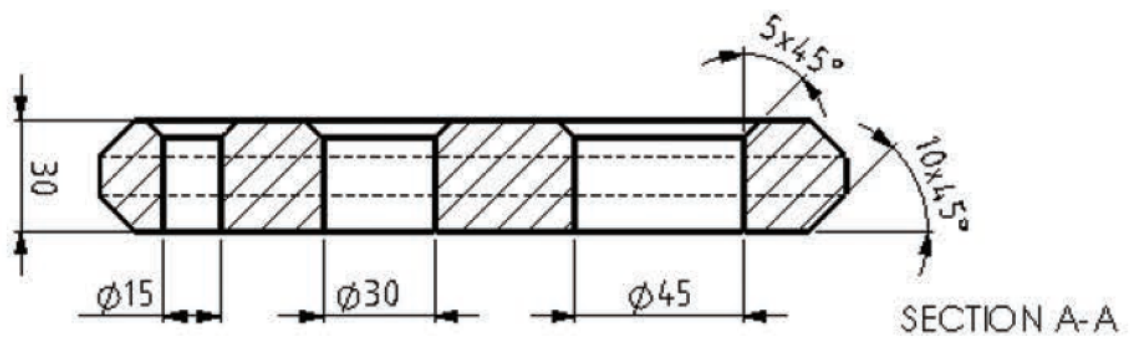
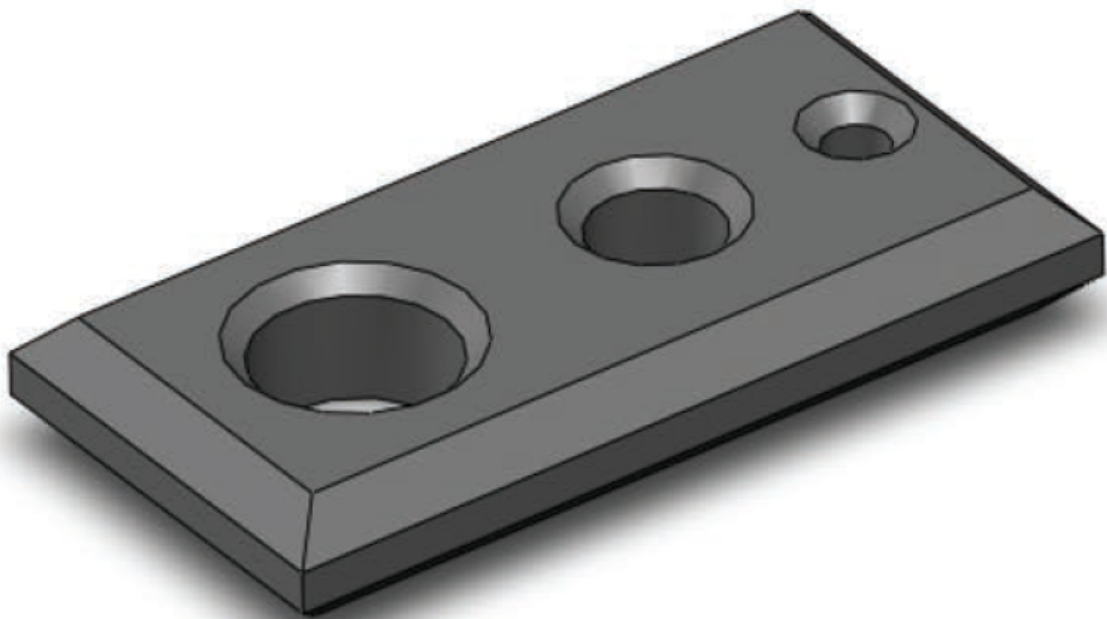
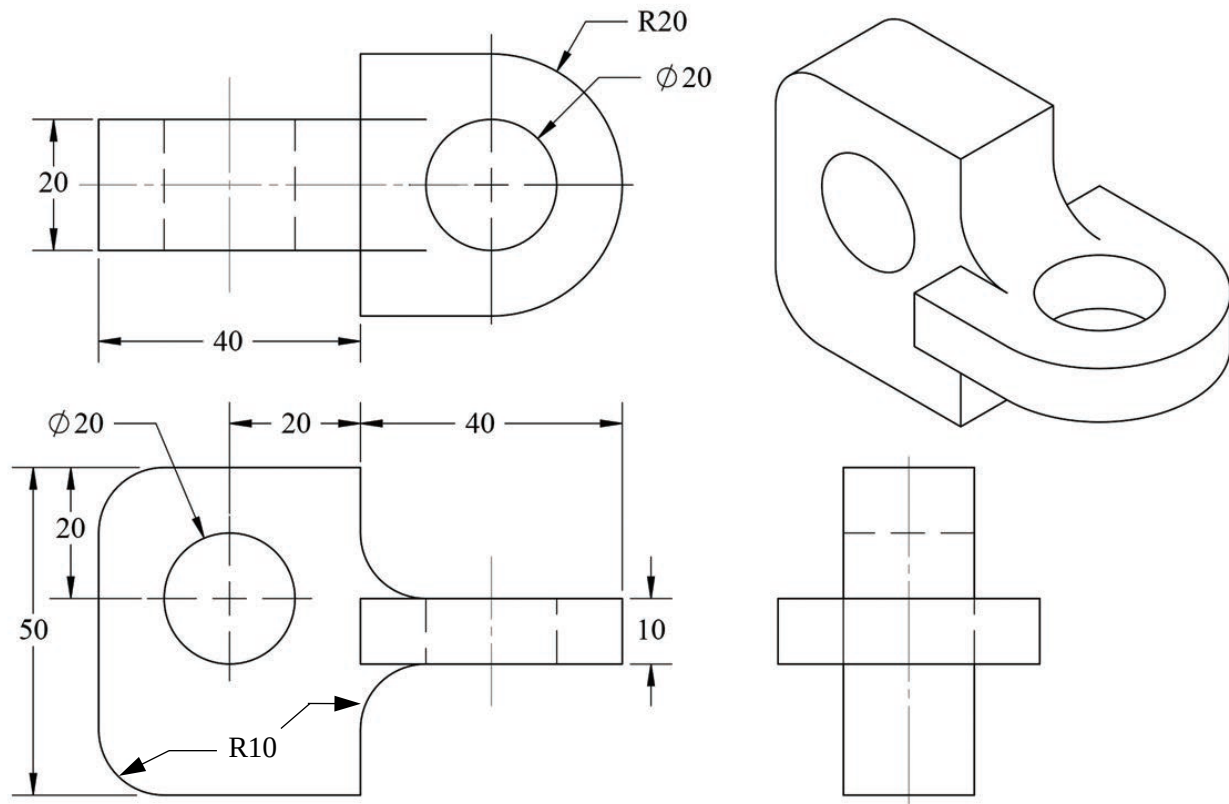


Part #1



Part #2



Assessment

Level 1: Submit a completed part with some mistakes

Level 2: Fully complete only one part

Level 3: Submit two completed parts with some mistakes

Level 4: Fully complete both parts

Evaluation includes accuracy and making good efficient use of each step (avoiding having an excessive number of steps).